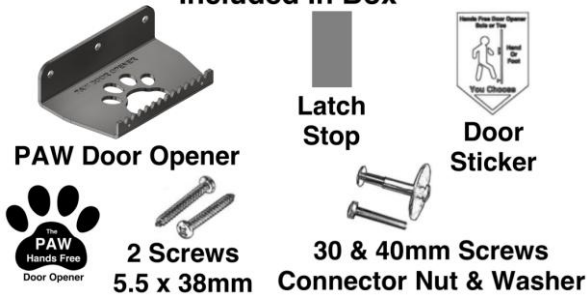


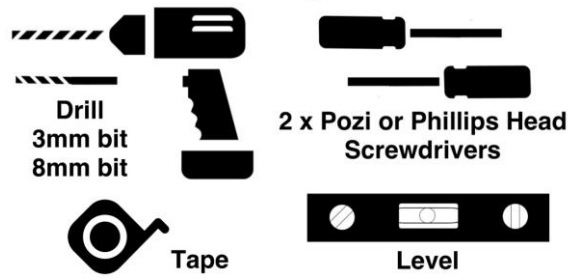
PAW Hands Free Door Opener

Please Read Fully Before Installing.

Included In Box



Tools Required



Introduction

Please read instructions fully before fitting.

The PAW Hands Free Door Opener can be fitted to wood, metal, aluminum free swinging, or latching doors. The purpose of this opener is to provide a hands free method of opening the door. The PAW door opener should only be fitted to good solid doors. Never fit to any damaged, weak or hollow doors. ALWAYS LEAVE HAND PULL / LEVER ON DOOR FOR PEOPLE WHO MAY PREFER TO USE HAND PULL

Warning ⚠ Caution



Only use in well illuminated areas.



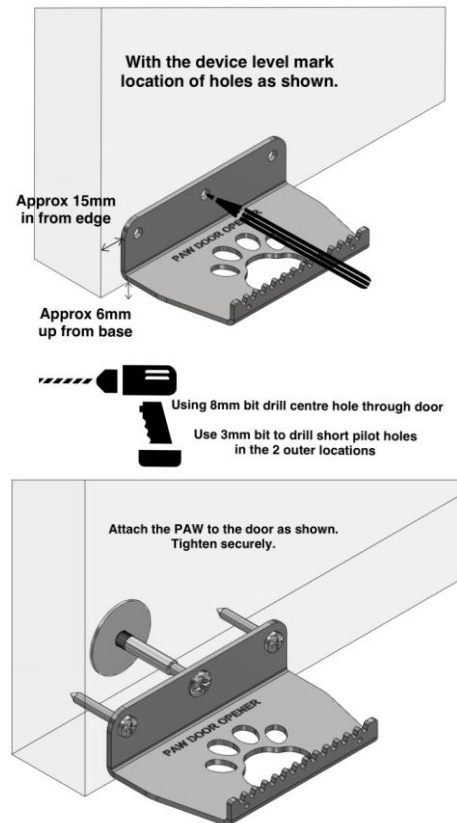
Always comply with local building codes & regulations.



Do not fit device where there is any slip or trip hazard.

Fitting Instructions

1. The PAW Hands Free Door Opener should be fitted approx 15mm in from the edge of the door & approx 6mm up from the base of the door. If fitting to a door where a saddle board is fitted, it may be possible to fit the device lower to the bottom of the door. Ensure the device will not contact the ground or anything through the full swing of the door.
2. When the correct position has been determined, with the device level, mark the position of the 3 holes. Use an 8mm bit to drill the center hole all the way through the door. Use a 3mm bit to drill pilot holes for screws in the 2 outer locations. Do not drill these all the way through the door.
3. Push the connector nut with 40mm washer into center hole from opposite side of the device. Depending on the thickness of the door use the 30 or 40mm screw provide to attach the PAW to the door. Use some thread lock on this center fitting. Do not tighten fully at this point. Screw the two 38mm screws through the device in each of the outer holes.
4. Once the device is level, tighten all 3 fittings securely.
5. Open the door & check the device does not catch or interfere with anything through the full swing of the door.
6. Attach the sticker provided to the door at eye level.
7. If required it may be necessary to adjust the door closer. Always comply with local building codes & regulations.



Self Latching Doors



If your door is fitted with a self latching mechanism, it may be possible to prevent the door from latching by placing the **magnetic latch stop** provided over the striker plate. This magnetic strip can be cut to size if required. Please note not all striker plates are magnetic. If the striker plate is brass or stainless, changing the top screw often allows the magnetic strip hold in place.

Warning



Fire door keep shut

Always comply with local fire door regulations.

Maintenance / Checks

It is important to check daily that the PAW door opener is securely fastened. If it has become loose it should be tightened up. If the devise or door becomes damaged in any way, the devise should be removed from the door immediately & not used.

Ceco Equipment Ltd.,

Knock Road, Kiltimagh, Co. Mayo, F12 PP99, Ireland.
Tel: +353 (0)94 938 2988 **Mobile:** +353 (0)86 8077701
www.pawdooropener.com info@pawdooropener.com
 Specifications may change without notice. © Ceco Equipment Ltd. 2020

Local Agent:

